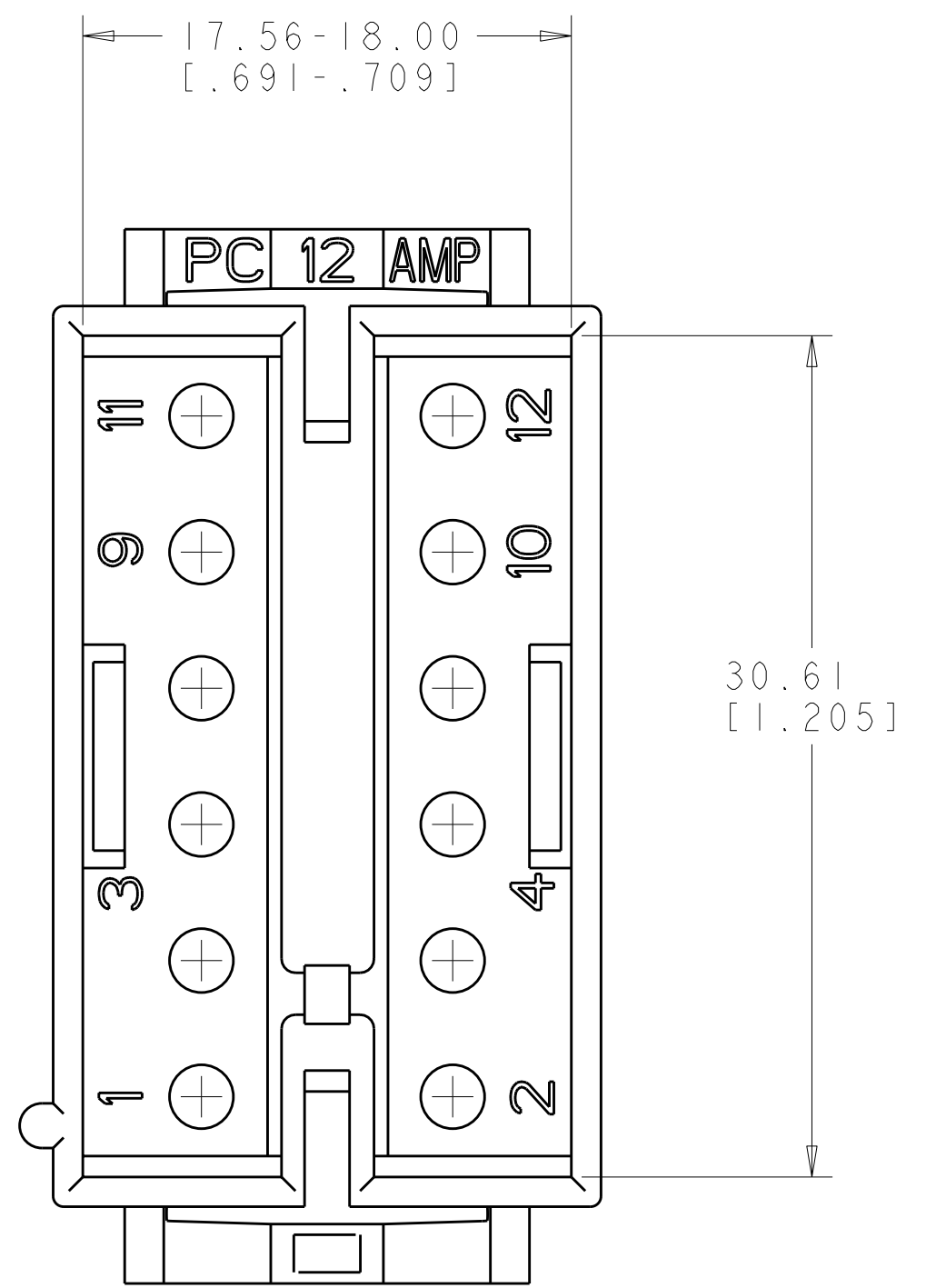
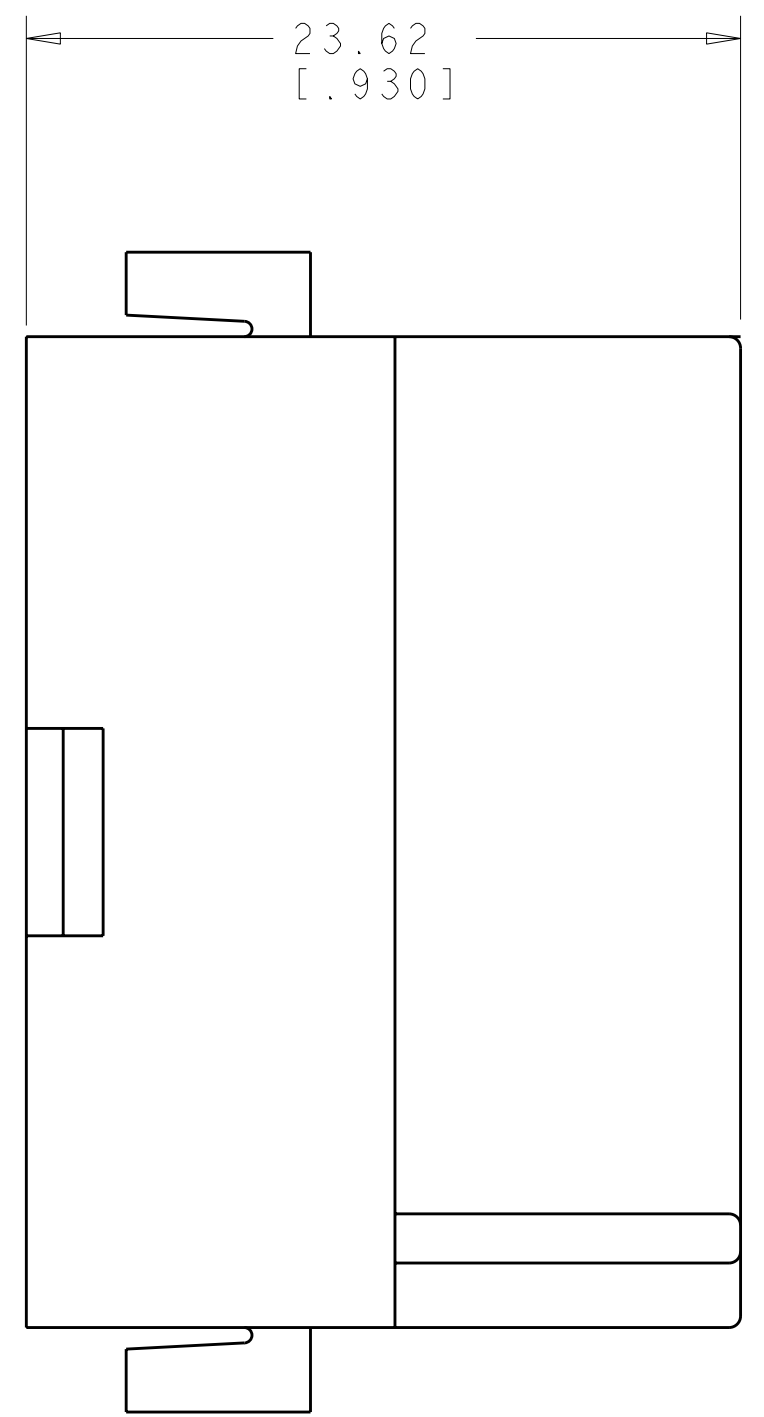
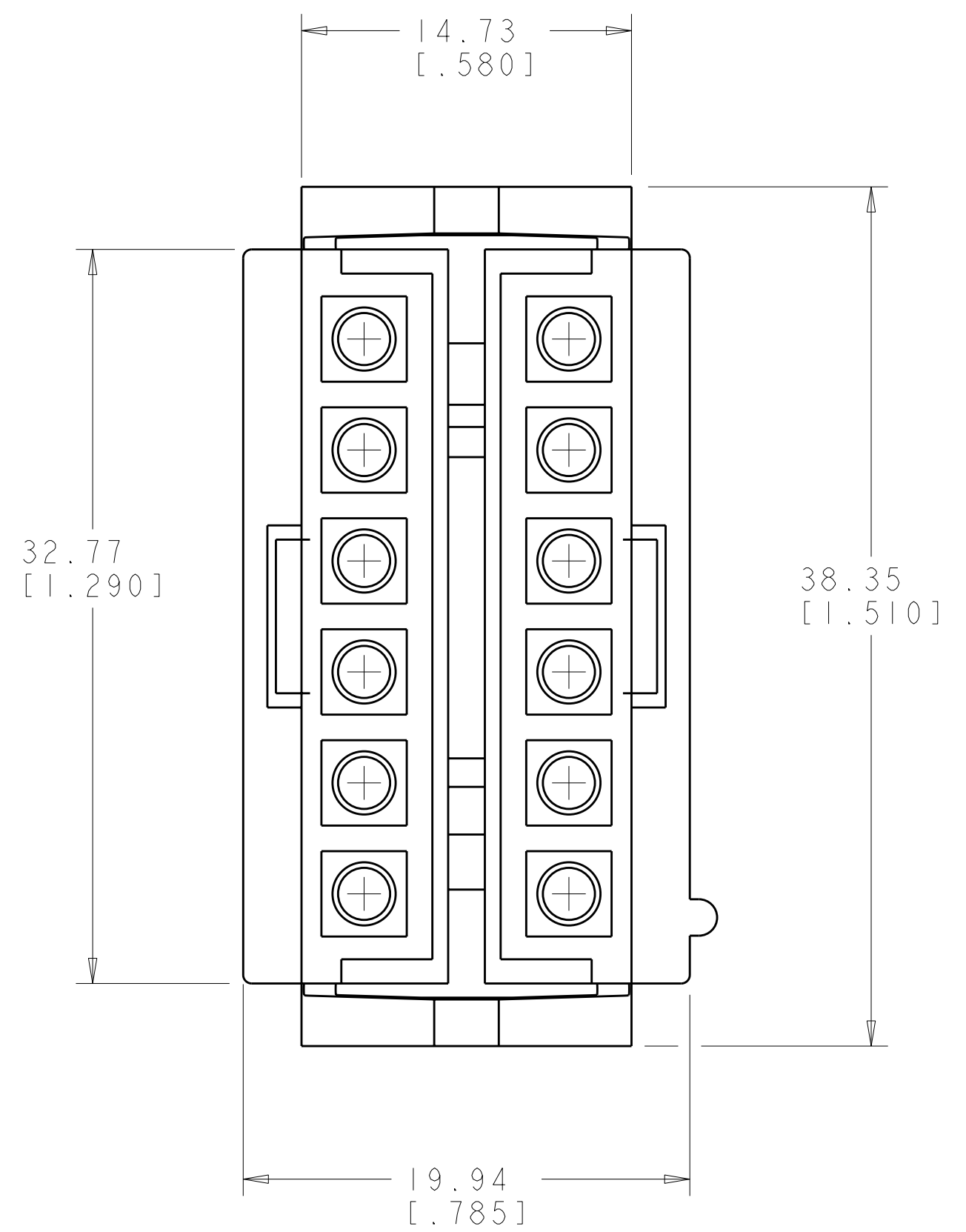
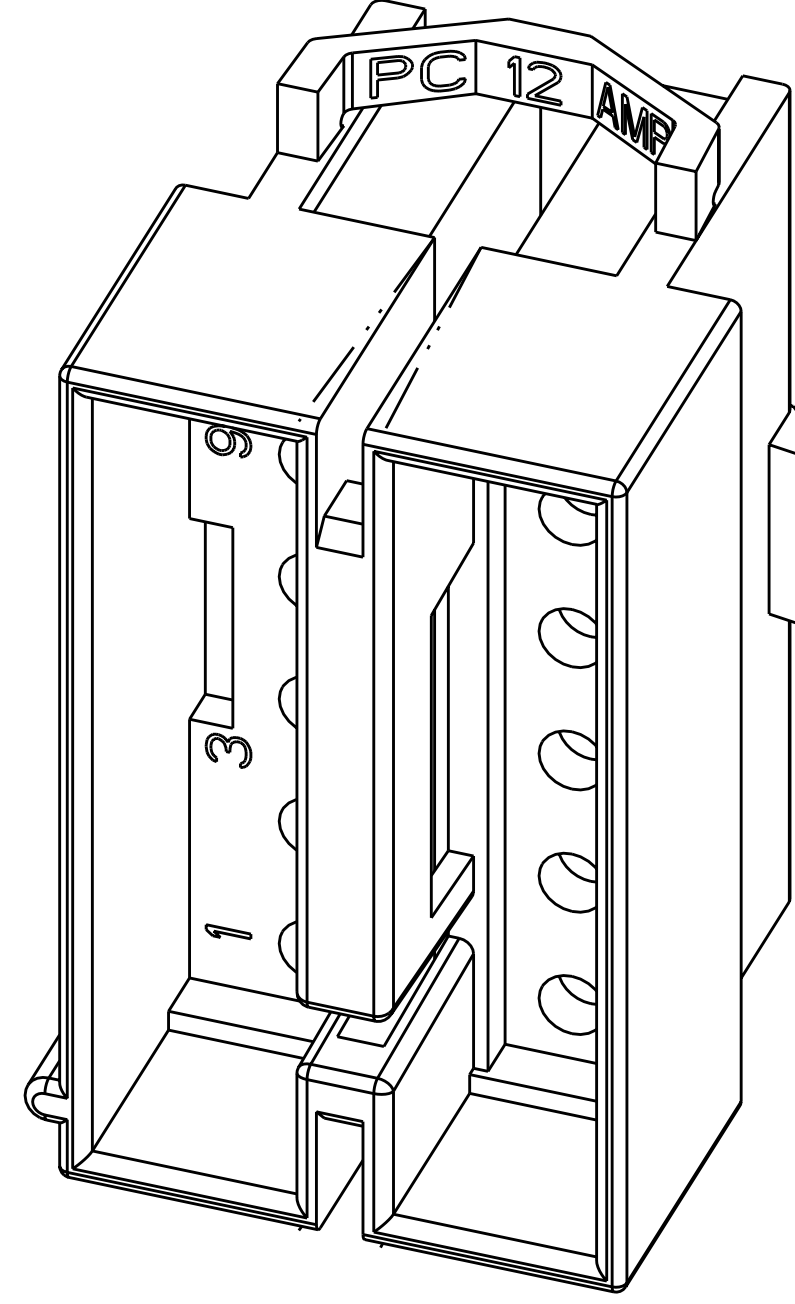
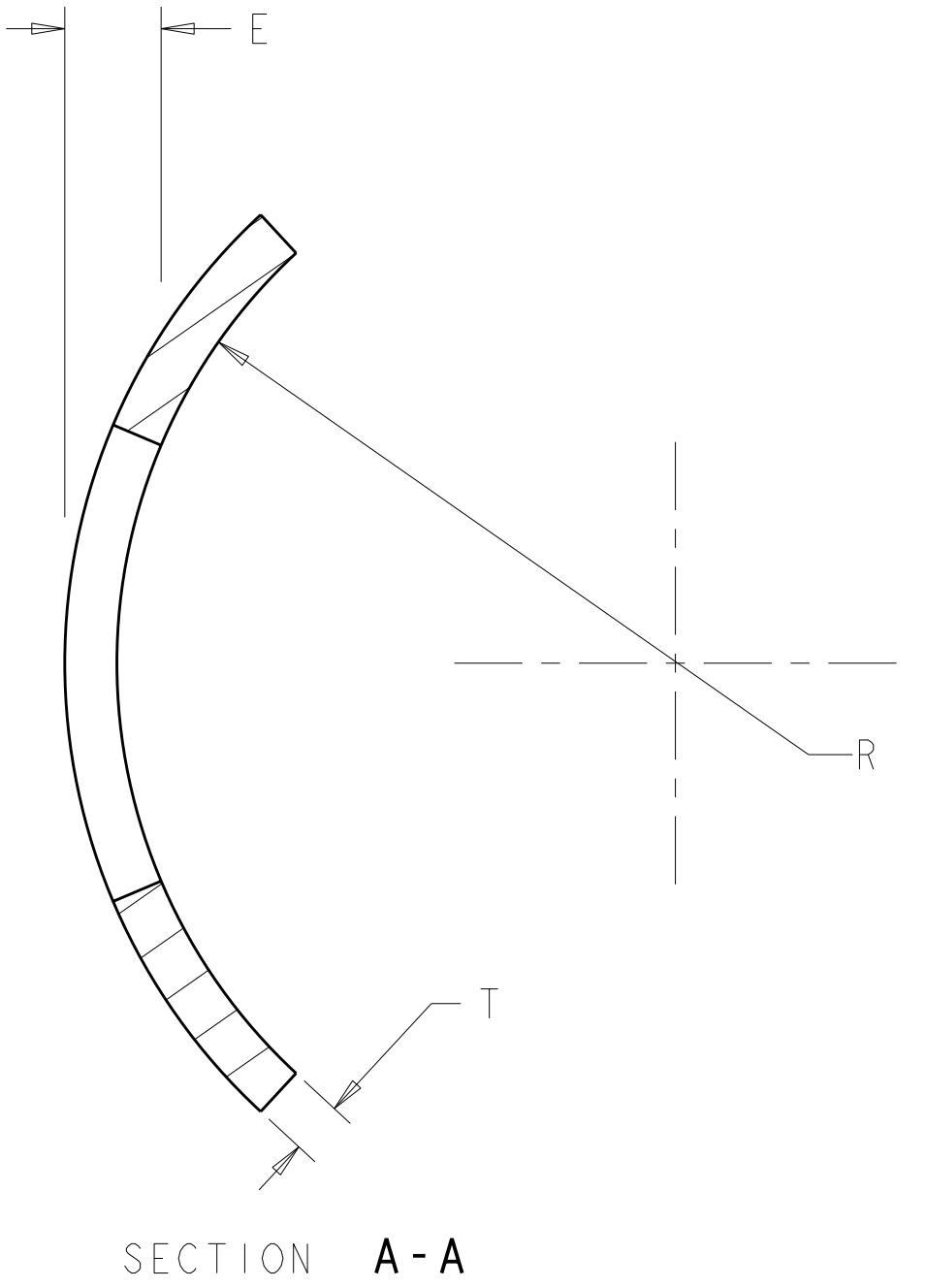
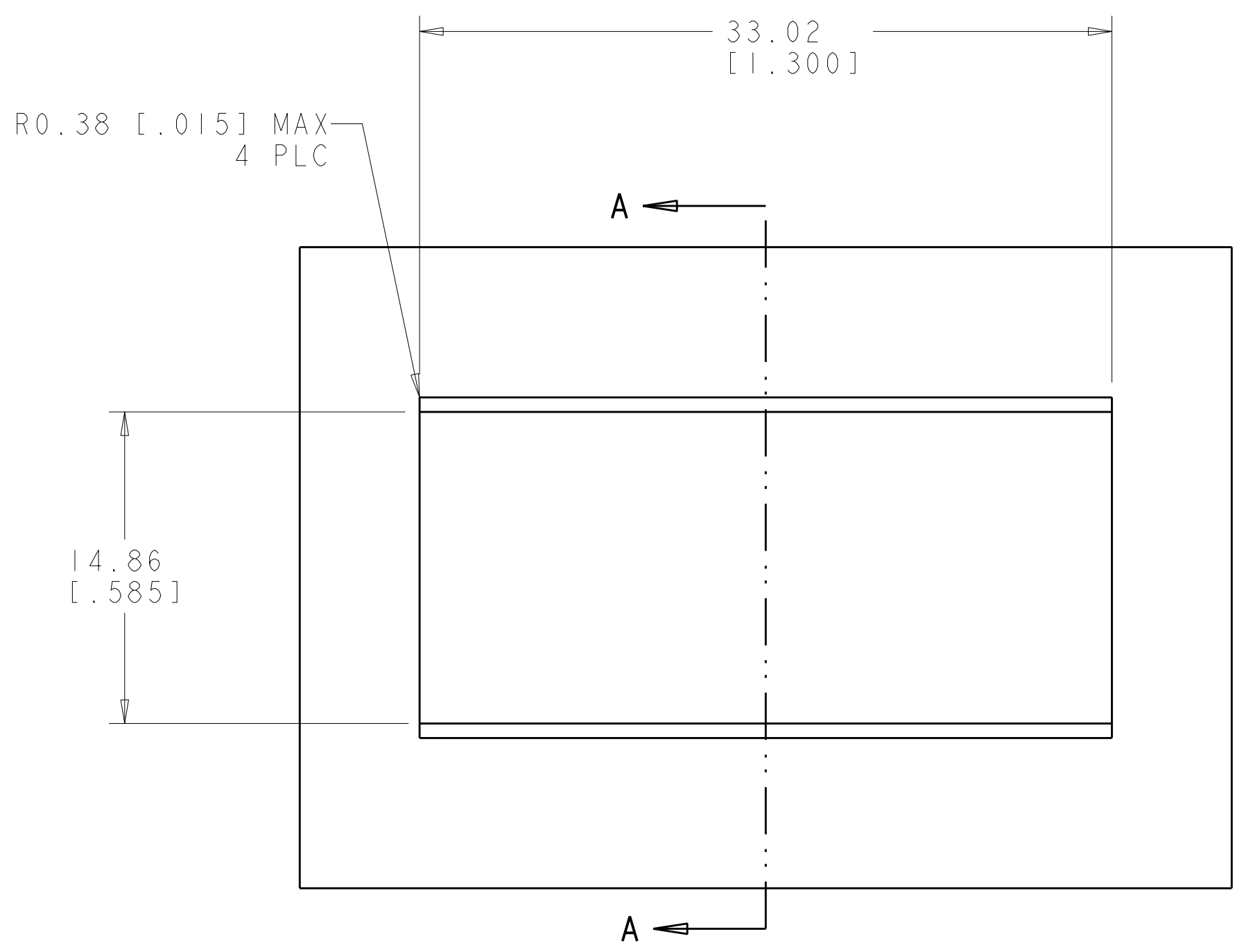
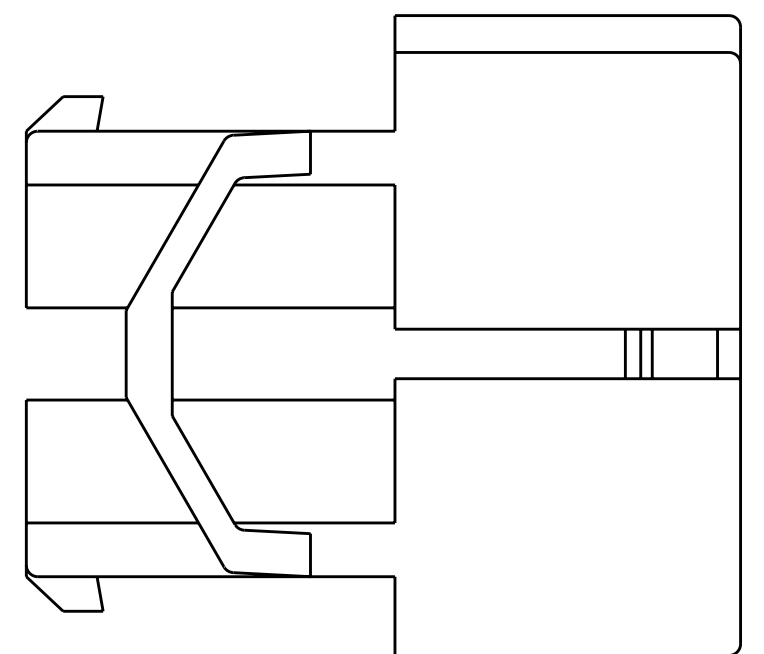


LOC	DIST	REVISIONS					
CM	00	P	LTB	DESCRIPTION	DATE	DWN	APVD
		F		ECO-07-030154	20DEC2007	KW	CC



1. TO BE USED WITH COMMERCIAL MATE-N-LOK™ PINS.
2. TO BE USED WITH PLUG 480287.
3. RECOMMENDED PANEL THICKNESS "E" IS 1.02-2.54 [1.040-.100] AND IS DEPENDENT ON "T" AND "R".
4. HOUSING MUST BE INSERTED IN A ROCKING MANNER.
5. THE PANEL MUST BE PUNCHED SO THAT THE HOUSING ENTERS THE PANEL IN THE SAME DIRECTION AS THE PUNCH.
6. PANEL MUST NOT HAVE ANY MATERIAL (PAINT, PORCELAIN, ETC.) APPLIED IN THE MOUNTING HOLE AREA THAT WOULD DECREASE RETENTION OF THE HOUSING IN THE PANEL.



RECOMMENDED CUT OUT

0.329 IN ³	1-480288-0
VOLUME	PART NUMBER

DIMENSIONS: mm [INCHES] TOLERANCES UNLESS OTHERWISE SPECIFIED: 9 PLC ± 1 PLC ±0.13 [1.005] 5 PLC ± 4 PLC ± ANGLES ±40° 30' FINISH -		DWN R. WHITAKER 20DEC2007 CHK C. CASH 20DEC2007 APVD C. CASH 20DEC2007 PRODUCT SPEC APPLICATION SPEC WEIGHT CUSTOMER DRAWING	Tyco Electronics Harrisburg, PA 17105-3608 NAME: CAP, 12 CIRCUIT, MOTOR MOUNT, COMMERCIAL MATE-N-LOK(TM) SIZE: CAGE CODE: DRAWING NO: A100779C-480288 RESTRICTED TO: - SCALE: 4:1 SHEET 1 OF 1 REV F
--	--	--	---

METRIC